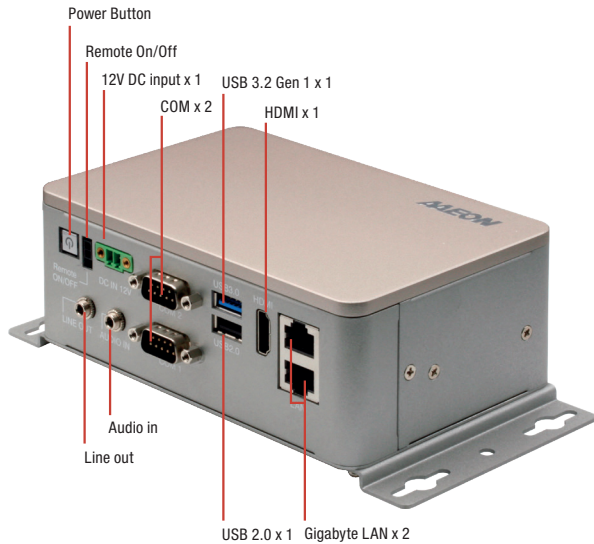
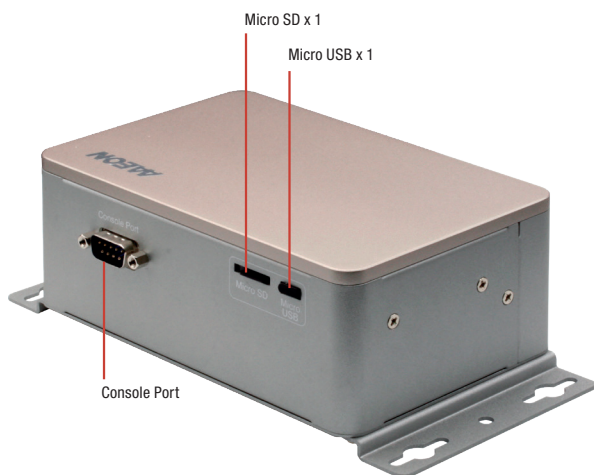


Front View



Rear View



Features

- HiSilicon Hi3559A
- Onboard 4GB/8GB DDR4 & 32GB/64GB eMMC
- Support GbE LAN x 2
- Support USB 3.2 Gen 1 Type A x 1
- Support Audio in/Line out
- Support 2.5" SATA Storage device

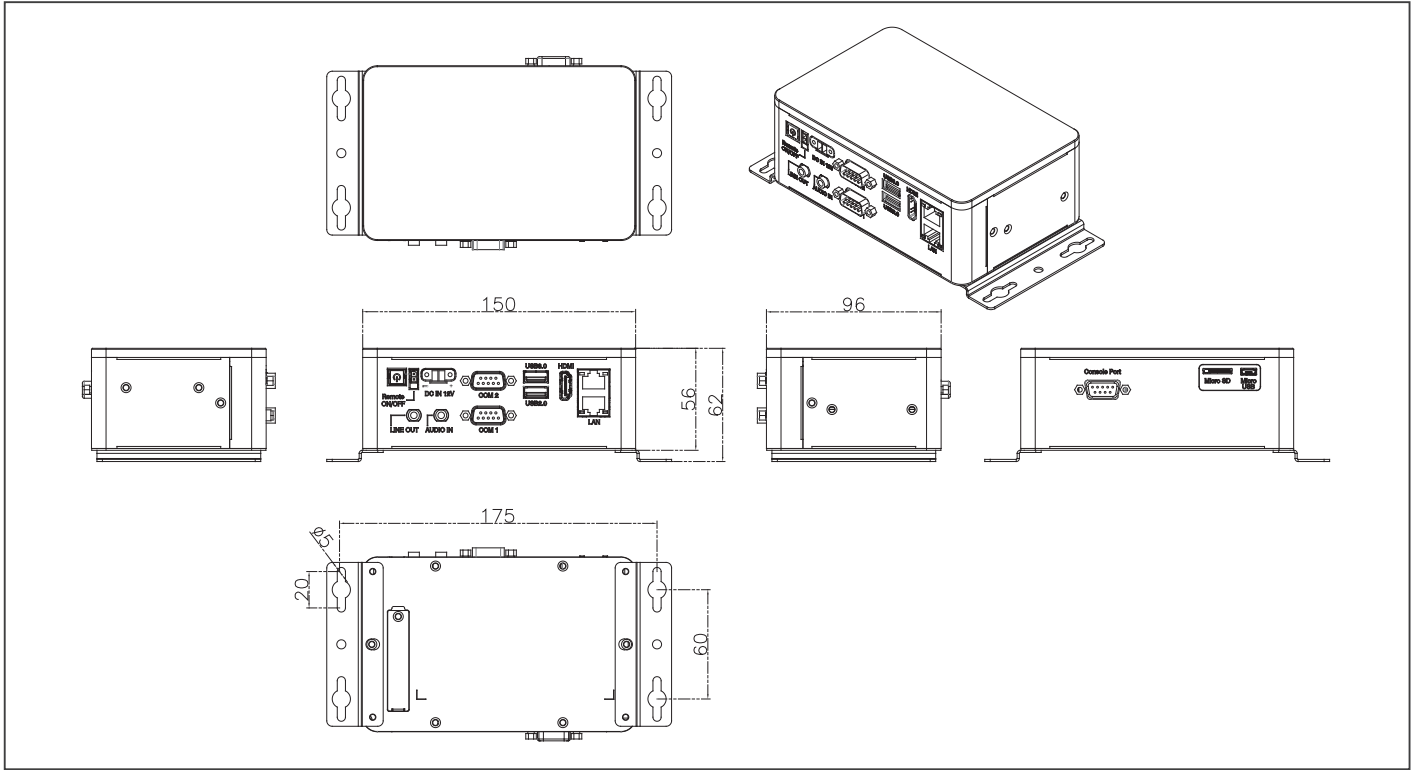


Specifications

System	
AI Accelerator	Hi3559A
CPU	Dual-core ARM Cortex A73@1.8 GHz Dual-core ARM Cortex A53@1.2 GHz Single-core ARM Cortex A53@1 GHz Neon acceleration and integrated FPU
System Memory	4GB/8GB LPDDR4
Storage Device	Onboard 32GB/64GB eMMC Micro-SD slot x 1 SATA III (6.0 Gbps) Port x 1
Display Interface	HDMI 2.0 x 1
Ethernet	10/100/1000 Base-TX x 2
I/O	Power Button with LED indicator x 1 USB 3.2 Gen 1 Type A x 1 USB 2.0 Type A x 1 Micro USB Type B (USB 2.0) x 1 (for flash image) RJ-45 GbE LAN x 2 DB-9 RS-232 x 2 DB-9 Console Port x 1 Audio in x 1 Line out x 1 2-pin terminal block +12V DC-in x 1 MicroSD x 1 Remote Power On/Off
Expansion	—
Indicator	Power LED x 1
OS Support	HiLinux
Power Supply	
Power Requirement	12VDC-in with 2-pin terminal block
Mechanical	
Mounting	Wallmount kit (default)
Dimensions (W x D x H)	150 mm(W) x 96 mm(D) x 56 mm(H)
Gross Weight	2.20 lbs. (1 kg)
Net Weight	1.10 lbs. (0.5 kg)
Environmental	
Operating Temperature	-4°F ~ 131°F (-20°C ~ 55°C, according to IEC60068-2 with 0.5 m/s AirFlow)
Storage Temperature	-4°F ~176 °F (-40°C ~ 80°C)
Storage Humidity	5 ~ 95% @ 40°C, non-condensing
Anti-Vibration	Random, 1Grm, 5 ~ 500Hz
Anti-Shock	—
Certification	CE/FCC class A

Dimension

Unit: mm



Ordering Information

Part Number	AI Accelerator	LAN	USB 3.2 Gen 1	USB 2.0	RS-232	Audio-in	Line-out	Storage	Display	Mounting	Power	Operation temp.
BOXER-8410AI-A1-1010	HI3559A	2	1	1	2	1	1	Onboard 32GB eMMC Micro-SD slot x 1 SATA III (6.0 Gbps) Port x 1	HDMI x 1	Wallmount	12VDC-in with 2-pin terminal block	-4°F ~ 131°F (-20°C ~ 55°C, according to IEC60068-2 with 0.5 m/s AirFlow)
BOXER-8410AI-A2-1010	HI3559A	2	1	1	2	1	1	Onboard 64GB eMMC Micro-SD slot x 1 SATA III (6.0 Gbps) Port x 1	HDMI x 1	Wallmount	12VDC-in with 2-pin terminal block	-4°F ~ 131°F (-20°C ~ 55°C, according to IEC60068-2 with 0.5 m/s AirFlow)

Packing List

- Wallmount Bracket x 2
- Screw Package x 1
- 2 Pin Power Connector x 1
- BOXER-8410AI

Optional Accessories

- 1255300611
Power Adapter
- 1702031802
Power Cord (US type)
- 1702031803
Power Cord (European Type)
- 170203180E
Power Cord (Japanese Type)