

1U Rackmount Intel® 8th Generation Platform Network Appliance

Front View



Rear View



**Features**

- 1U Rackmount Network Appliance
- Dual Intel® 8th Generation Core/Xeon processor
- Intel® Communications Chipset C246
- DDR4 2133/2400/2666 MHz UDIMM x 4, Up to 64 GB
- IPMI Support by Aaeon Module
- Onboard 2 LAN (I350 AM2)
- Up to 24 Gigabit Ethernet Ports Via NIM
- 1 x 3.5" SATA HDD or 2.5" SATA HDD x 2, mSATA Socket x 1
- LCM with Keypad x 1
- RJ-45 Console x 1, USB 3.0 x 2, 1 GbE LAN x 2
- 220W Single Power



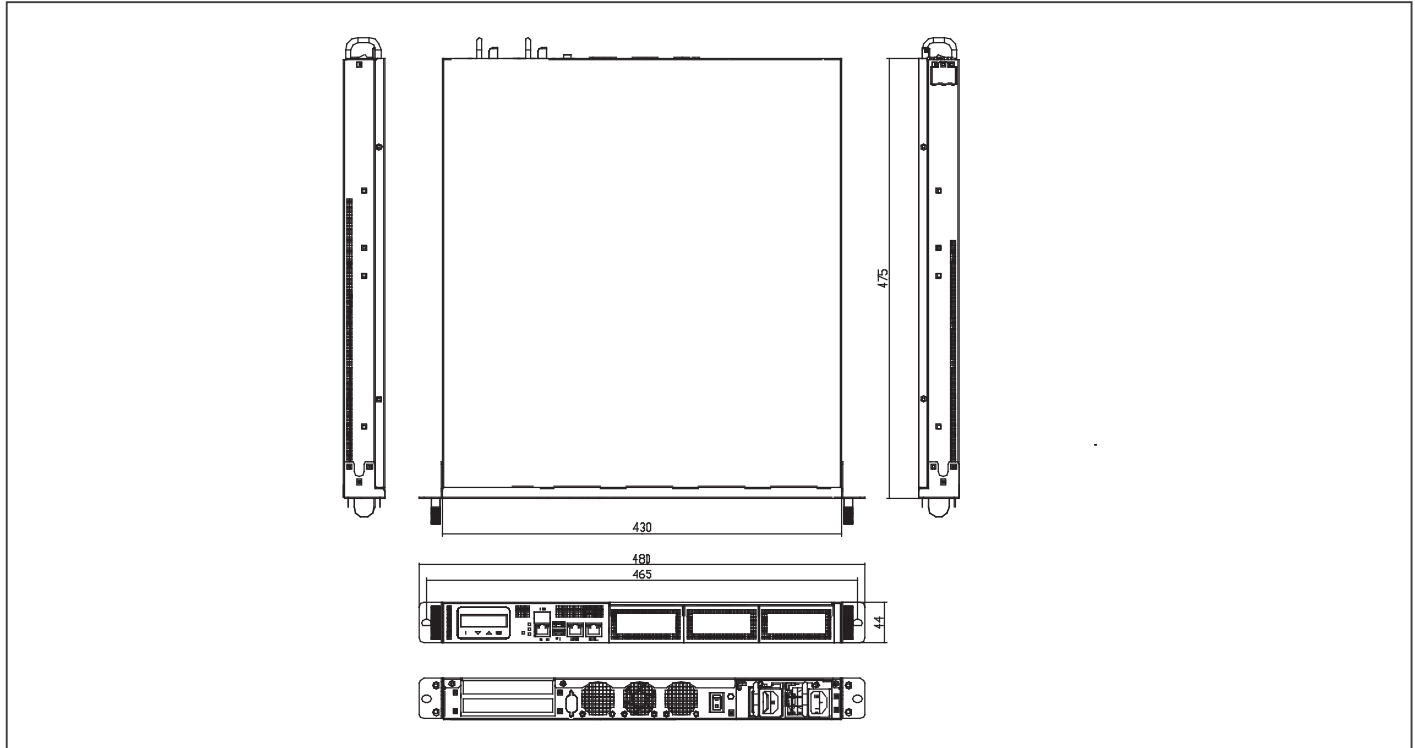
Storage	
HDDs	Internal 2.5" SATA HDD x 2 or 3.5" SATA HDD x 1 (Optional)
CF/CFast/mSATA	Default mSATA Slot (Optional CFast™ Socket)
Expansion/Internal Interface	
PCIe slot	NIM x 3 PCIe [x8] X1 slot by riser card Mini PCIe Slot x 1 or mSATA x 1
Mini-PCIe slot	Mini Card x 1
Keyboard and Mouse	Pin-header
Universal Serial Bus	USB 3.0 x 2, Box Header (2.0mm)
Miscellaneous	
RTC	Internal RTC
Watchdog Timer	1~255 steps by software programmable, 1 sec per step
Software Button	GPIO Programmable push button x 1
TPM	Optional TPM v2.0
GPIO	8bits, BIOS default 4 bits input, 4bits output.
FAN	2
MTBF (Hours)	TBD
Color	Black
Environmental Parameters and Dimension	
Power Requirement	220W ATX PSU
Operation Temp.	32°F ~ 104°F (0°C ~ 40°C)
Storage Temp.	-4°F ~ 140°F (-20°C ~ 60°C)
Operating Humidity	10% ~ 80%
Storage Humidity	10% ~ 80% @ 40°C, non-condensing
Vibration	0.5 Grms/ 5 ~ 500Hz/ operation (3.5" H.D.D) 1.5 Grms/ 5 ~ 500Hz/ no operation
Shock	10G peak acceleration (11 m sec. duration), operation 20G peak acceleration (11 m sec. duration), non-operation
Chassis Dimension (W x D x H)	16.93" x 18.7" x 1.73"(430mm x 475mm x 44mm)
I/O Interfaces	
Front Panel	Power LED x 1 Status LED x 1 HDD Active LED x 1 USB 3.0 Ports x 2 RJ-45 Console x 1 Parallel LCM display and 4 keypad x 1 Software Programmable Switch x 1
Rear Panel	AC Power Input x 1 Power Switch x 1 VGA port (Optional) Rear Expansion Slot X 1

**Specifications**

Platform	
Form Factor	1U Rackmount Network Platform
Processor	Intel® 8th Generation Core™/ Xeon® Processors
Chipset	Intel® C246
System Memory	DDR4 2133/2400/2666 UDIMM Up to 64GB 288-pin DIMM x 4
Network	
Ethernet	Intel® I350 AM2 Gigabit Ethernet x 2
Bypass	Depend on NIM module
NIM Slot	NIM Slot x3
Display	
Graphic Controller	Intel® Integrated
Connector	VGA cable (Optional)

## Dimension

Unit: mm



## Ordering Information

Part Number	CPU	Memory	Mini-Card Slot	Storage	LAN	USB	Console	Bypass	NIM Slot	Expansion Slot	TPM	Display	Fan	Mounting	Power
FWS-7830W2-H22-A10-000	Intel® 8th Generation Core™/Xeon® Processors	DDR4 UDIMM x 4, Up to 64GB	—	2.5" HDD Bay x 2 + mSATA slot x1	Intel® I350 AM2 Gigabit Ethernet x 2	USB 3.0 x 2	RJ-45 console x 1	—	3	PCIe [x8] X1 slot by riser card	—	—	2	1U Rackmount	ATX

\* Please contact AAEON for other optional specifications.

Note 1: Need to configure riser card and module

## Packing List

- Console Cable
- Ear Brackets
- FWS-7830

## Optional Accessories

- **M0266600**  
Slide x 2, for Rackmount Usage
- **1702031803**  
Power Cord, 3P-250V/10A, 180D, 1.8M, VDE, YP22/YP12
- **1702031802**  
Power Cord, 3P-250V/10A, 180D, 1.8M, USA, YP22/YP12
- **170203180E**  
Power Cord, 3P-25V/7A, 180D, 1.8M, PSE, YP12/YP12
- **9761781027**  
VGA Cable
- **9761783000**  
(TF)3.5x1 HDD Module, FWS-7830
- **9761783001**  
(TF)2.5x2\_HDD-LEFT Module, FWS-7830
- **PER-R30X-A10-00**  
PER NIM Extension, Riser Card, REV1.0 for FWS-7830
- **NIM-S26C-A10-T40-0002**  
Intel® Fortville XL710 PCI-Express 10G SFP+ 4 Ports Module for FWS-7820/7830
- **NIM-S26B-A10-F20-0002**  
Intel® Fortville XL710 PCI-Express 40G QSFP 2 Ports Module for FWS-7820/7830
- **NIM-S13B-A10-G80-0002**  
Intel® 82580EB PCI-Express 1G SFP 8 Ports Module for FWS-7820/7830
- **NIM-S13D-A10-G40-0002**  
Intel® 82580EB PCI-Express 1G SFP 4 Ports Module for FWS-7820/7821/7830
- **NIM-C13B-A10-G82-0001**  
Intel® 82580EB PCI-Express 1G Copper Ethernet 8 Ports Module for FWS-7820 w/ 2Pair bypass/7830
- **NIM-C13D-A10-G42-0002**  
Intel® 82580EB PCI-Express 1G Copper Ethernet 4 Ports Module for FWS-7820 w/ 2Pair bypass/7830